

SWHIFT Systems Inc.

246 McGhee Rd
Sandpoint, Idaho 83864

Horizontal Pressure Tank Layout Sheet

Phone (208) 265 4250
1-800-803-2358
208 567 4429 Fax
<http://www.solartanks.com>

Pressure Test

- 135 psi 175 psi 300 psi
 Custom _____ psi

Tank Size

Diameter _____

Length _____

Stainless Grade

- T-304
 T-316L

Metal Thickness

- Stock Size
 Custom

Finish

- Mill Finish
 Soft Swirl
 High Luster

Side Wall Gauge _____
Head Gauge _____

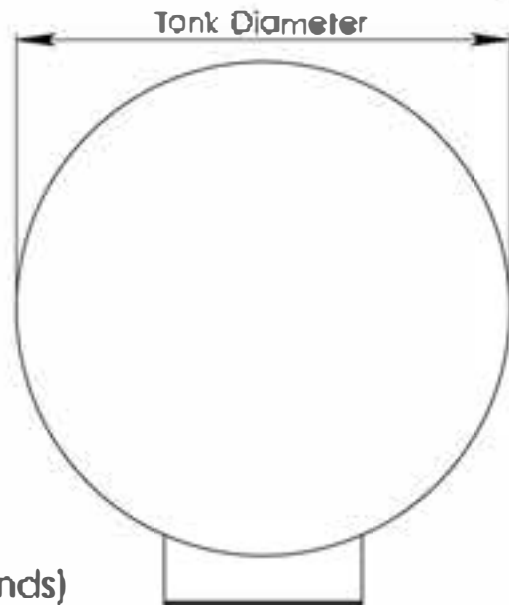
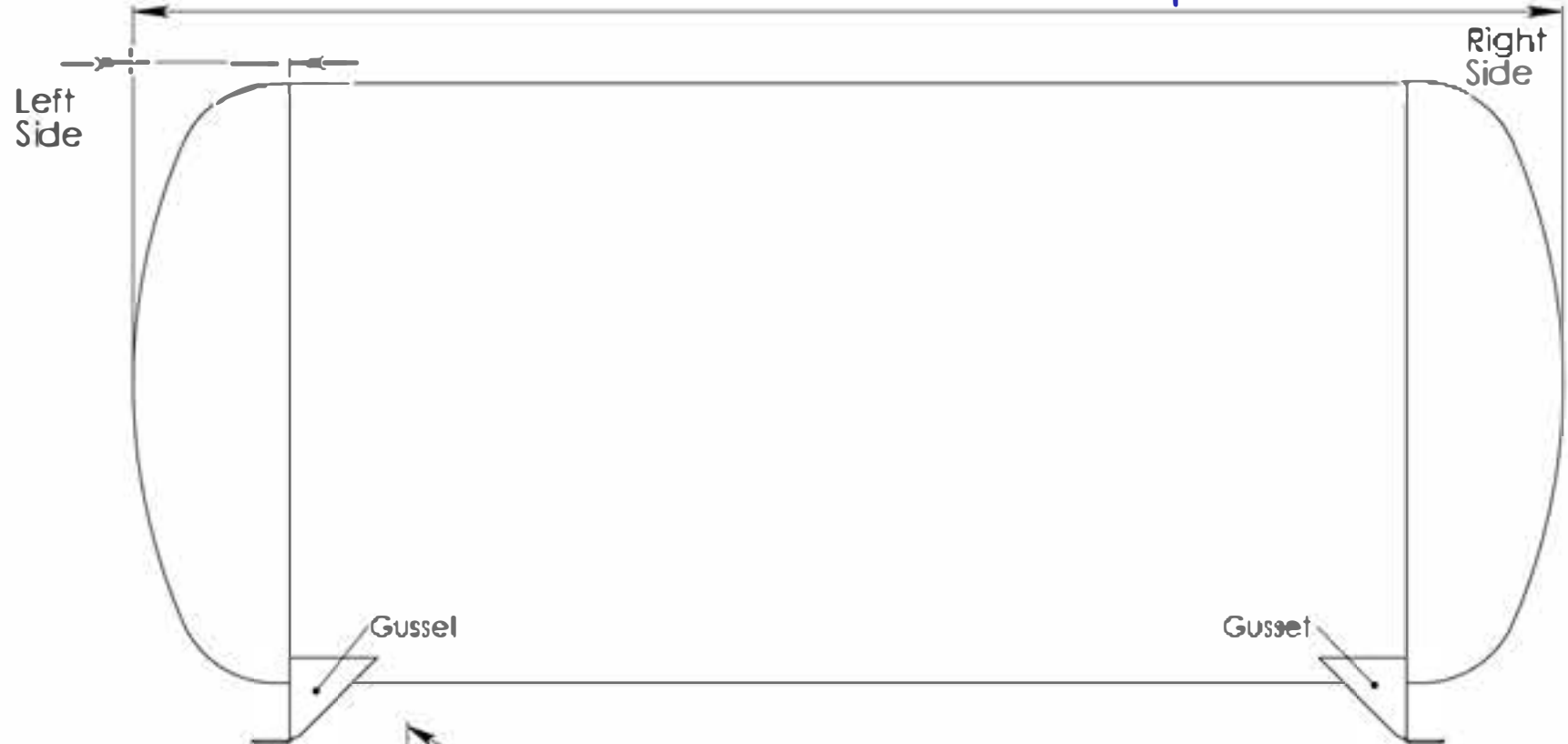
Note seam location on drawing if desired
 Yes No

Label All Couplings:

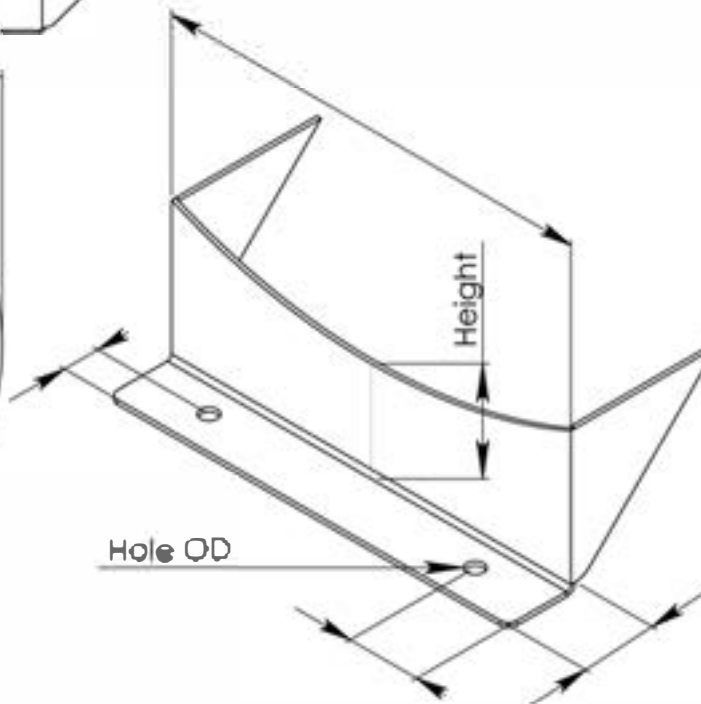
H. For connections to be made outside the tank

F. For connections to be made inside and outside the tank.

- All couplings H (half couplings)
 All couplings F (full couplings threaded both ends)
 Couplings mixed



Right Side View



Ordered By: _____

Phone # _____

Fax # _____

P.O. # _____

Ship To: _____

Draw in fitting sizes and locations.
Special Instructions: _____

